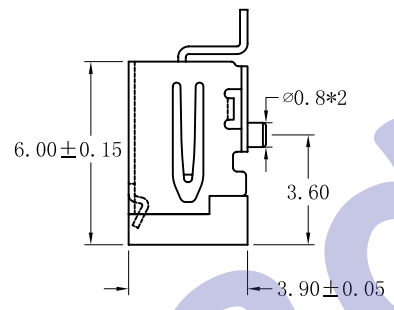
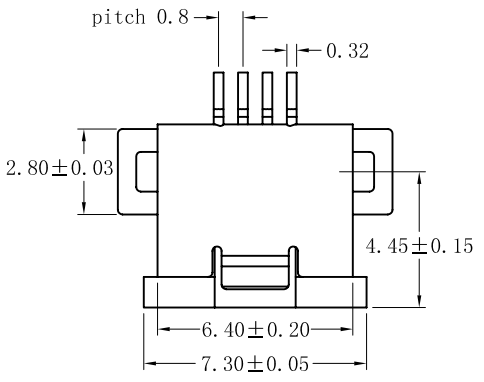
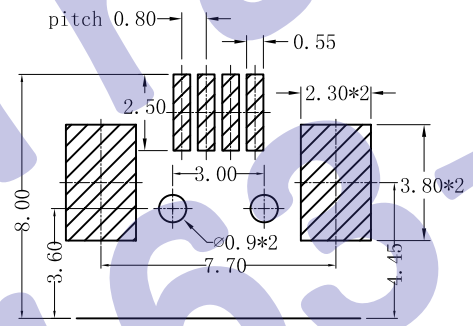
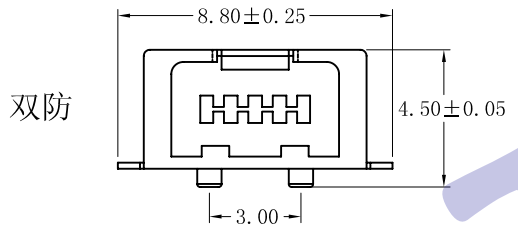


REV.	ECN NO.	DESCRIPTION	DRWN	APPD.	DATE
A1	ECN060719026	更换图面	Zhan yun ping		2006.07.19

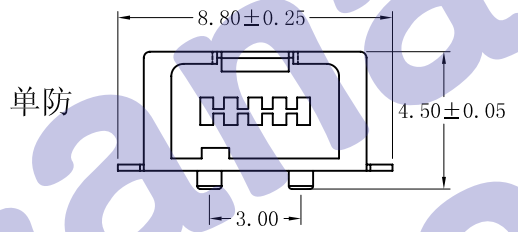
A



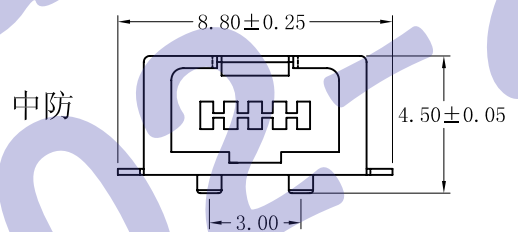
B



C



D



特性: Specifications:
 电器: Electrical:
 接触阻抗: Contact Resistance 50 milliohms MAX
 耐电压: Dielectric Withstanding Voltage: 100 V AC AT Sea Level
 绝缘阻抗: Insulation Resistance: 100 MEGA ohms MIN
 材料: Material:
 塑胶: Housing: High Temperature Thermoplastics, UL 94V-0 耐高温塑胶
 端子: Contact: Copper Alloy 铜合金
 铁壳: Shell: Copper Alloy 铜合金
 电镀: Finish:
 端子: Contact: Plated Gold in Mating Area; Tin On Solder Tails
 接触点镀金, 脚镀锡
 铁壳: Shell:
 Nickel/ Plating 镀镍

Part Number:

M	N	4	XX	S	0	X	X	U					
双防类	23	1U"	2	单防类	34	30U"	3	中防类	36	15U"	6	3U"	7

— BLACK 0
 — WHITE 1
 — 白色 2
 — NATURE 3
 — BLUE 4

UNITS mm	SCALE 1:1	REV. A1	SHEET 10F1	TITLE MINI USB A TYPE 4P SMT 母座	
		DATE 2006-07-19		FINISH SEE NOTES	
GENERAL TOLERANCE 0. ±0.30 0.0 ±0.20 0.00 ±0.15 0.° ±4° 0.0° ±2°		DR. ZHANYUNPING		PART NO. SEE NOTES	
		CHK.		SIZE A4	
		APPD.		DWG.NO. DWG_MUB4F-006	